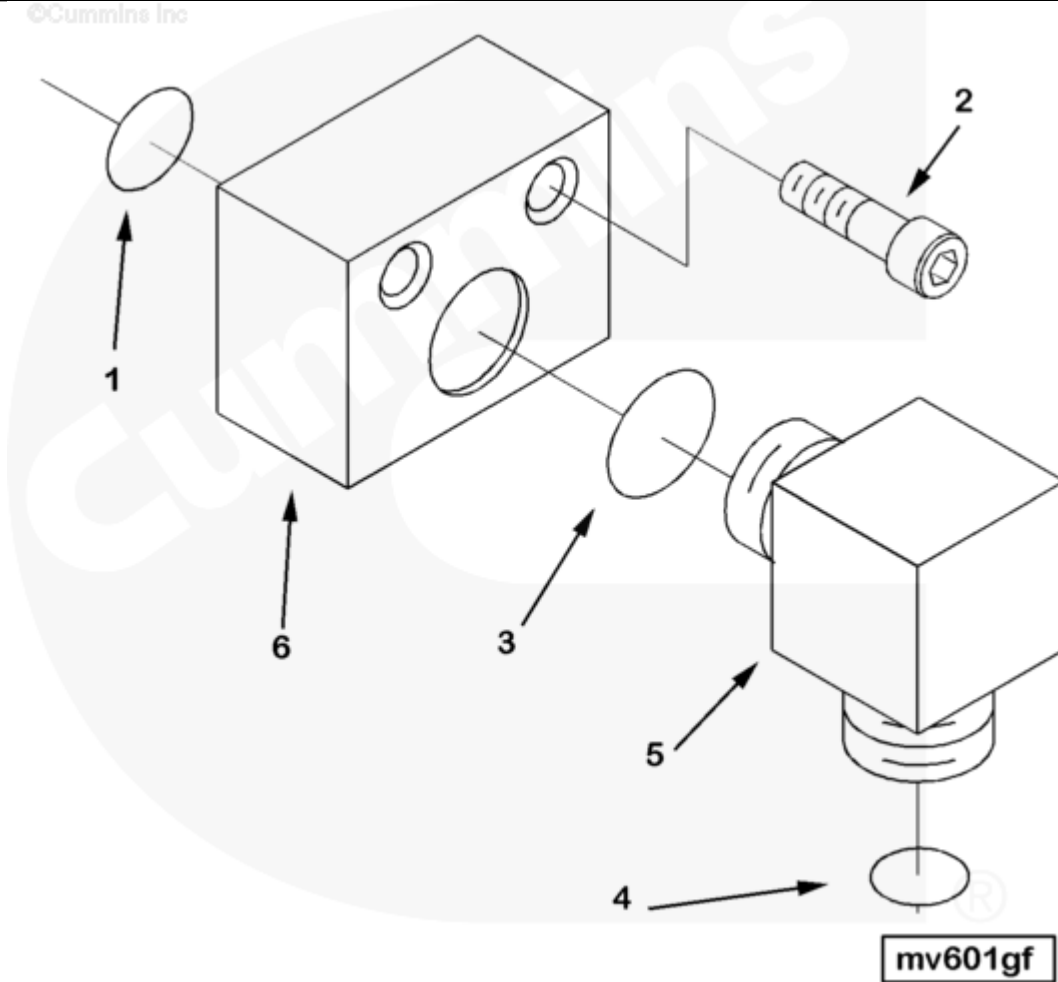




Parts Catalog - Option Detail

Electronic Parts Catalog - Option Detail				
Option	Group	Graphic	Film Card	Date
PP2404-01	07.04	mv601gf	K38	12-JAN-04
Engines	GTA38, K38, KTA38GC CM558, QSK38 CM2150 K106, QSK38 CM2150 MCRS, QSK38 CM850 MCRS			



SMALL | MEDIUM | LARGE

Cart	Ref No	Part Number	Part Description	Required	Remarks
View My Cart					
		PP2404-01	Oil Supply Connection		
<input type="checkbox"/>	1	3084539	O-Ring Seal	4	
<input type="checkbox"/>	2	3178257	Socket Head Cap Screw	8	1/4 - 20 X 7/8 Inch.
<input type="checkbox"/>		3630738	Male Union Elbow	4	

<input type="checkbox"/>	3	3046201	O-Ring Seal	1	
<input type="checkbox"/>	4	3627695	O-Ring Seal	1	
	5	3630739	Male Adapter Elbow	1	
<input type="checkbox"/>	6	3630829	Oil Supply Connection	4	

© 2019 Cummins Inc., Box 3005, Columbus, IN 47202-3005 U.S.A.
Terms of Use and Disclaimers | Recommended System Requirements
Need Assistance? Please click on the Contact Us button in the top right corner of any page.